






33 501 662



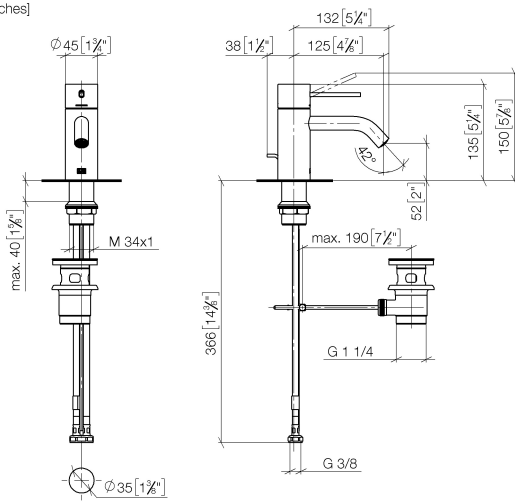
- 125mm projection
- fixed spout
- circular, air-enriched flow
- height of mixer 134 mm
- height up to aerator 52 mm
- hole diameter 35 mm
- 2x screw-in M 8 x 1 pressure hose, leak-tested
- max. flow 5.7 l/min
- lead-free
- This product can help a building meet the requirements of Green Building Rating Systems, e.g. LEED®, BREEAM®, DGNB

Only suitable for basins with an overflow.

| | | |
|---|-------------------------------------|---------------|
|  | Platinum | 33 501 662-08 |
|  | Chrome | 33 501 662-00 |
|  | Brushed Platinum | 33 501 662-06 |
|  | Dark Chrome | 33 501 662-19 |
|  | Light Gold | 33 501 662-26 |
|  | Brushed Light Gold | 33 501 662-27 |
|  | Brushed Durabrass (23kt Gold) | 33 501 662-28 |
|  | Red | 33 501 662-29 |
|  | Orange | 33 501 662-30 |
|  | Dark Green | 33 501 662-31 |
|  | Matte Black | 33 501 662-33 |
|  | Brushed Bronze | 33 501 662-42 |
|  | Brushed Champagne (22kt Gold) | 33 501 662-46 |
|  | Champagne (22kt Gold) | 33 501 662-47 |
|  | Brushed Chrome | 33 501 662-93 |
|  | Brushed Dark Platinum | 33 501 662-99 |

33 501 662

mm [inches]



Flow rate chart



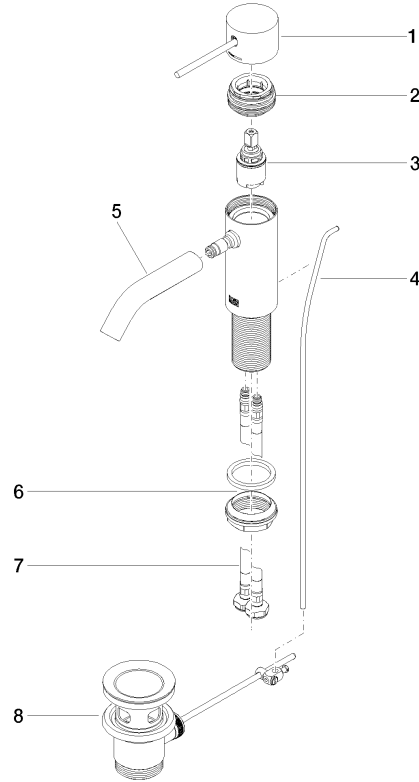
Certificates

LGA_29706.

WRAS_2003051.

33 501 662

Parts for other finishes can be found here: [Chrome](#)



Spare parts list

| No. | Item Number | Name | Quantity used | Delivery time |
|-----|--------------------|--------------------|---------------|---------------|
| 1 | 90 20 66 020 00-08 | handle | 1 | 40 |
| 2 | 90 24 04 536 00 90 | threaded connector | 1 | 60 |
| 3 | 90 15 05 044 00 90 | cartridge | 1 | 2 |
| 4 | 09 31 09 110-08 | pull-rod | 1 | 40 |
| 5 | 90 11 06 206 00-08 | spout | 1 | 40 |
| 6 | 04 23 10 044 07 90 | fixing set | 1 | 2 |
| 7 | 04 30 04 100 00 90 | hose | 2 | 2 |
| 8 | 90 11 01 001 00-08 | pop-up waste | 1 | 40 |